

Safety Information

Applicable Printer models
9150/9150R/9110/9110R
7150/7150R/7110/7110R
3150/3150R/3110/3110R



 **CAUTION**

To ensure safety precautions, be sure to read this guide before using the product.
After reading this guide, keep it in handy for future reference.

Index

Safety Precautions	4
Warning Symbols	
Power Plug	
Installation Location	
Power Connection	
Handling	
Ink Cartridge	
Before Use	6
Installation Location	
Power Connection	
Connecting to a Computer	
Required Spacing	
Handling	
Originals	
Printable Area	
Printing Paper	
Printouts	
Materials Not to Be Printed	
Ink Cartridge Storage and Handling Precautions	
Disposing of Used Ink Cartridges and Cleaning Tanks	
Specifications	16

ComColor Series

Model: 59A01/59A02/59A03/59A04/59A05/59A06

This Product Contains RFID (Radio Frequency Identification) System

Model: 050-34901

Contains FCC ID: RPARFR6

This device complies with Part 15 of the FCC Rules. Operation is subject to the following two conditions: (1) this device may not cause harmful interference, and (2) this device must accept any interference received, including interference that may cause undesired operation.

The user is cautioned that unauthorised changes or modifications not approved could void the user's authority to operate the equipment.

NOTE: This equipment has been tested and found to comply with the limits for a Class B digital device, pursuant to part 15 of the FCC Rules. These limits are designed to provide reasonable protection against harmful interference in a residential installation. This equipment generates, uses and can radiate radio frequency energy and, if not installed and used in accordance with the instructions, may cause harmful interference to radio communications. However, there is no guarantee that interference will not occur in a particular installation. If this equipment does cause harmful interference to radio or television reception, which can be determined by turning the equipment off and on, the user is encouraged to try to correct the interference by one or more of the following measures:

- Reorient or relocate the receiving antenna.
- Increase the separation between the equipment and receiver.
- Connect the equipment into an outlet on a circuit different from that to which the receiver is connected.
- Consult the dealer or an experienced radio / TV technician for help.

Contains IC: 4819A-RFR6

Operation is subject to the following two conditions: (1) this device may not cause interference, and (2) this device must accept any interference, including interference that may cause undesired operation of the device.

This Class B digital apparatus complies with Canadian ICES-003.

Cet appareil numérique de la classe B est conforme à la norme NMB-003 du Canada.

Perchlorate Material-special handling may apply,
See www.dtsc.ca.gov/hazardouswaste/perchlorate
This product may contain certain substances which are restricted when disposed.
Therefore, be sure to consult your contracted service dealer.



R&TTE directive Class1 device

Copyright © 2013 RISO KAGAKU CORPORATION

Safety Precautions

This section describes the items that should be followed for safe use of this machine. Be sure to read this section before using the machine.

Warning Symbols

To use the machine properly and to prevent human injury and damage to properties, the following warning symbols are used. Read the meaning of the symbols to understand and then read this guide.



WARNING

Indicates that incorrect handling by ignoring this symbol may cause death or serious human injury.




CAUTION


Indicates that incorrect handling by ignoring this symbol may cause human injury or damage to properties.

Examples of symbols



The  symbol indicates a prohibited action. A specific prohibited action is drawn inside or next to the symbol. (The left figure indicates that disassembly is prohibited.)



The  symbol indicates a forced action or an instruction. A specific instruction is drawn inside the symbol. (The left figure indicates an instruction to remove the power plug from the electrical outlet.)

Power Plug

- If the following options are connected, you will have two or more plugs.
 - Face down offset stapler
 - Multifunction finisher
 - High capacity feeder
 - High capacity stacker

Installation Location




CAUTION

- Place the machine on a flat or stable surface. Otherwise, the machine might be inclined or fall down, resulting in human injury.
- When installing the machine without the use of a special scanner stand, do not install the machine in a location where it will be exposed to vibration from other machines. Otherwise, the machine may drop or fall and injure someone.
- The machine has ventilation openings. Place the machine at least 100 mm (3 15/16") from walls. If the ventilation openings are blocked, the inside of the machine may become hot and a fire might occur.
- Do not place the machine in a dusty or humid location. Otherwise, a fire or an electric shock might occur.

Power Connection



WARNING

- Install the machine near the wall socket to avoid using an extension cord between the machine and the wall socket. If an extension cord is absolutely required, do not use longer than 5m (15ft). Otherwise, a fire or an electric shock might occur.
- Do not damage or rebuild the power cord. Placing a heavy object on the cord or pulling or forcibly bending the cord may damage the cord, resulting in a fire or an electric shock. 
- The power cord supplied with this product can be used only for this machine. Do not use it for another electric product. Otherwise, a fire or an electric shock might occur.
- Do not connect a power cord other than the scanner (HS5000) cord to the scanner socket on the machine.
- Do not plug or unplug the power cord if your hands are wet. Otherwise, an electric shock might occur.

CAUTION

- Connect the plug securely to the electrical outlet to avoid a loose connection.
- Do not pull the power cord when unplugging it. Otherwise, it could become damaged and a fire or an electric shock might occur. Be sure to hold on to the plug when unplugging the power cord.
- If the machine will not be used for a long time, such as during a holiday, unplug the power cord from the electrical outlet for safety.
- Pull out the power plug from the electrical outlet at least once a year and clean the prongs of the plug and their surroundings. Dust collected on these areas can result in fire.

Handling

WARNING

- Do not place water containers or metallic objects on the machine. If water drips inside the machine or a metallic object drops inside it, a fire or an electric shock might occur.
- Do not insert or drop any metallic material or flammable substances into the machine through any opening. A fire or an electric shock might occur.
- Do not remove the covers. Otherwise, you might be electrically shocked by the high-voltage part inside.
- Do not disassemble or rebuild the machine by yourself. Otherwise, a fire or an electric shock might occur.
- If the unit emits excessive heat, smoke or foul odor, immediately press the sub power key, and turn off the main power switch. Next, unplug all the power cords and contact your dealer (or authorized service representative). Otherwise, a fire or an electric shock might occur.
- If something drops inside the unit, immediately turn off the main power switch, unplug the power cord and contact your service representative. Continued use might result in a fire or an electric shock.
- When using the IC card reader
The IC card reader continually emits a weak signal. If you are using a cardiac pacemaker and notice any abnormalities, immediately move away from the machine. Consult a physician immediately.



CAUTION

- Do not insert your fingers in the areas around the standard tray or stacking tray. Otherwise, an injury may occur.
- The inside of the printer may have areas with ink. Be careful not to let the ink come in contact with your hands or clothing. Should ink accidentally make contact with your hands, wash it off with detergent as soon as possible.
- When moving the machine, contact your service representative. If you try to forcibly move the machine, the machine may overturn, resulting in injury.

Ink Cartridge

CAUTION

- Avoid contact to eyes and/or skin. If ink gets into your eyes, flush it out immediately with plenty of water. If ink comes into contact with your skin, wash it off thoroughly using soap.
- Allow plenty of ventilation during printing. Seek fresh air immediately if you feel unwell during use.
- If you feel sick, seek medical advice immediately.
- Use the ink only for printing purposes.
- Do not dispose of used ink cartridges by burning. The ink is combustible and can cause the fire to grow, resulting in burns.
- Store ink cartridges out of the reach of children.
- The ink is a combustible liquid. In the event of fire, use potassium carbonate mist, foam, powder, or a carbon dioxide fire extinguisher.

Before Use

This section describes the precautions that must be observed before using the machine.

Installation Location

Observe the following precautions.

- **Your dealer will help you to determine a proper location for the machine at the time of delivery.**
- **When moving the machine, contact your service representative.**
- **Avoid installing the machine in the following locations. Otherwise, incorrect operation, malfunction, or accident might occur.**
 - Places subject to direct sunlight or excessively illuminated such as next to windows (if inevitable, use a curtain at the window)
 - Places subject to sudden temperature variations
 - Places excessively hot and humid or cold and dry
 - Places close to fire or heat
 - Places directly subject to cold air from air conditioners or hot air from heaters, as well as radiant heat
 - Places with poor air permeability or ventilation
 - Dusty places
 - Places subject to excessive vibration
- **Install the machine in a place whose levelness is within the following specified range.**
Installation surface level: 2° or less
- **Operate the machine under the following environment conditions.**
Temperature range: 15°C to 30°C (59°F to 86°F)
Humidity range: 40% to 70% RH (non-condensing)

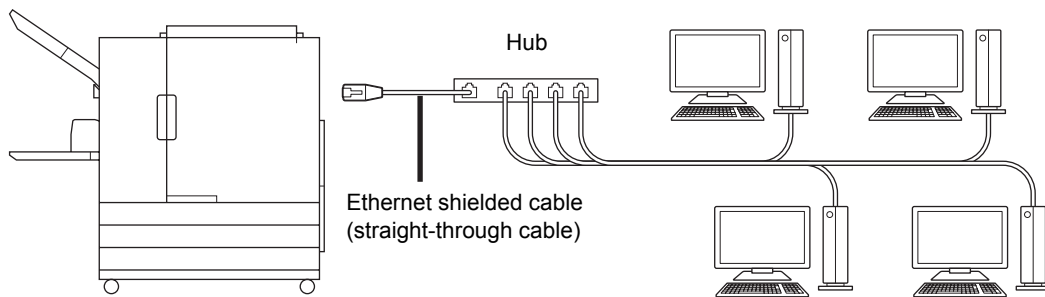
Power Connection

Observe the following precautions.

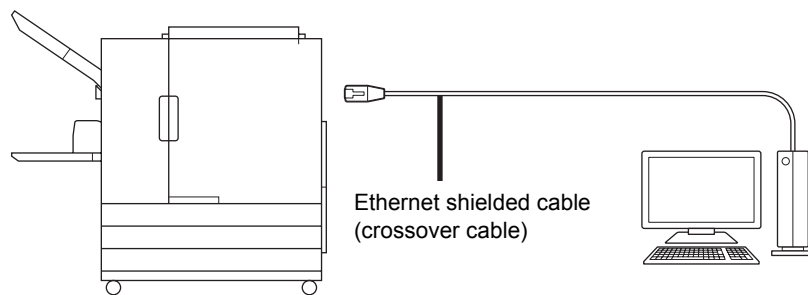
- **Connect the plug securely to the optional connection outlet on the printer main unit to avoid a loose connection. You may have two or more power plugs if you have options connected.**
- **Install the machine near an electrical outlet.**
- **When the scanner is connected to the optional connection outlet on the printer main unit, the scanner is turned ON and OFF by the power of the main unit.**
- **Use a dedicated power cord to connect the scanner (HS5000).**
- **The high capacity stacker turns on and off along with the machine if the two are connected.**

Connecting to a Computer

■ Connecting to Multiple Computers



■ Connecting to One Computer



The maximum allowable voltage for all input/output connection is 5V.



- Use a commercially available ethernet shielded cable.
It is recommended that you use one of the following types of ethernet shielded cables according to your network environment.
 - Cat 5 (Cat 5e) cable for 100BASE network
 - Cat 6 cable for 1000BASE network
- To print from a computer, you must install the printer driver. For the installation method, see **"Installing the Printer Driver"** in the **"Basic Guide"**.

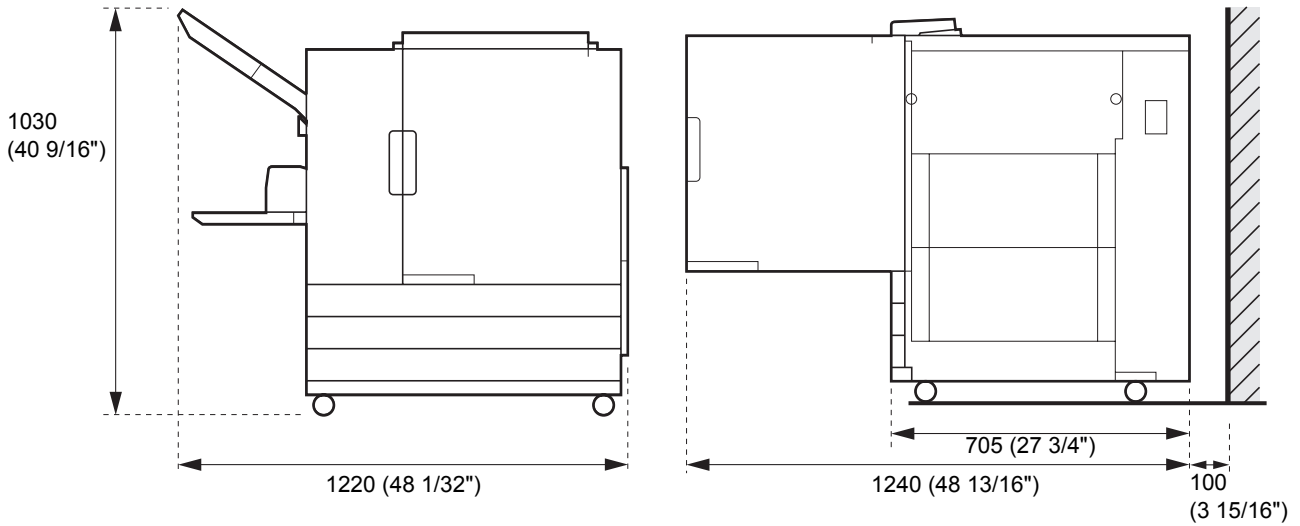
Required Spacing

■ Main Unit

Provide sufficient space for the front cover to open.

● As seen from the front

● As seen from the side

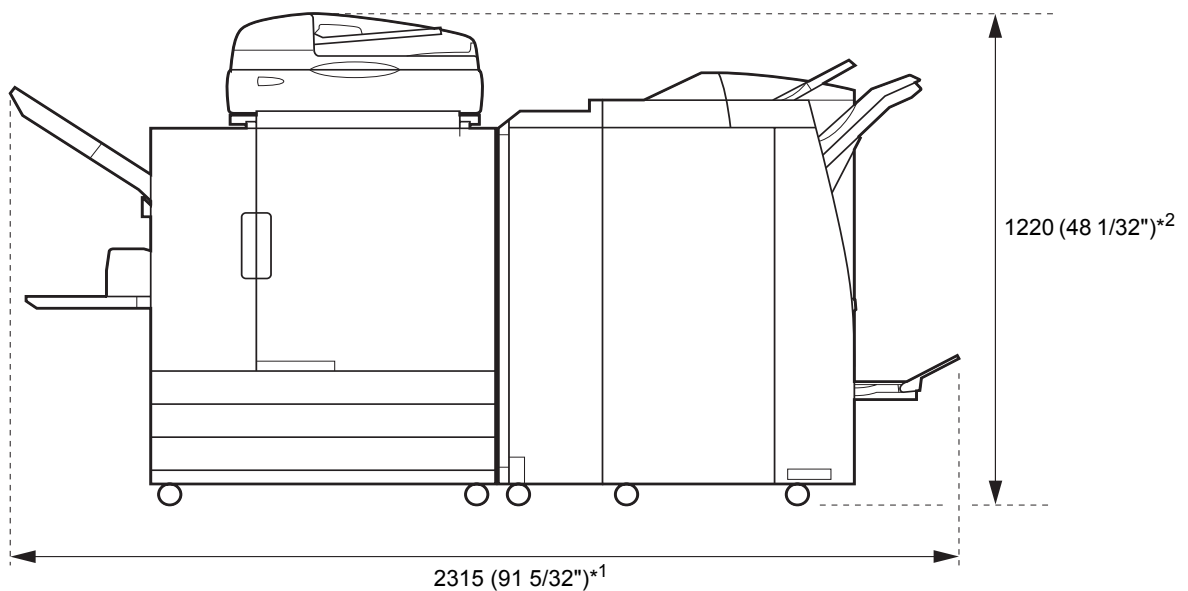


Units: mm (inch)

■ Main Unit with Optional Equipment Installed

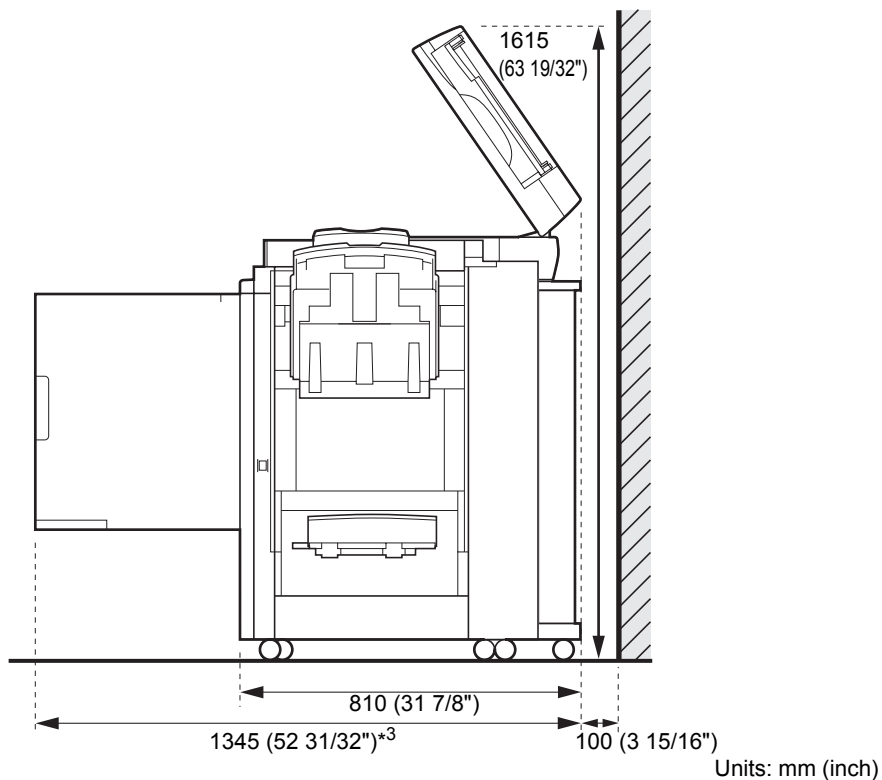
Provide sufficient space for opening the front covers and original cover of the scanner.

● As seen from the front



Units: mm (inch)

● As seen from the side



The size varies depending on the optional equipment used.

*1 Width	Main unit only	1,220 mm (48 1/32")
	Main unit and Scanner (when using special scanner stand)	1,225 mm (48 7/32")
	Main unit and Face Down Offset Stapler	1,440 mm (56 11/16")
	Main unit and Wide Stacking Tray	1,845 mm (72 21/32")
	Main unit and Auto-Control Stacking Tray	1,705 mm (67 1/8")
	Main unit, Face Down Offset Stapler, and Wide Stacking Tray	2,070 mm (81 1/2")
	Main unit, Face Down Offset Stapler, and Auto-Control Stacking Tray	1,930 mm (75 31/32")
	Main unit and Multifunction Finisher	2,315 mm (91 5/32")
	Main unit and High Capacity Feeder	1,565 mm (61 5/8")
	Main unit and High Capacity Stacker	2,810 mm (110 5/8")
	Main unit, High Capacity Feeder and High Capacity Stacker	3,160 mm (124 13/32")
	Main unit, High Capacity Feeder and Wide Stacking Tray	2,190 mm (86 7/32")
	Main unit, High Capacity Feeder and Auto-Control Stacking Tray	2,050 mm (80 23/32")
	Main unit, High Capacity Feeder and Multifunction Finisher	2,660 mm (104 23/32")
Main unit, Face Down Offset Stapler and High Capacity Stacker	3,030 mm (119 9/32")	

*2 Height	Main unit only	1,030 mm (40 9/16")
	Main unit and Scanner (when using special scanner stand)	1,220 mm (48 1/32")
	Main unit and Multifunction Finisher	1,130 mm (44 1/2")
	Main unit and Face Down Offset Stapler	1,345 mm (52 31/32")
	Main unit and High Capacity Stacker	1,030 mm (40 9/16")

*3 Depth	Main unit only	1,240 mm (48 13/16")
	Main unit and Scanner (when using special scanner stand)	1,345 mm (52 31/32")
	Main unit and Multifunction Finisher	1,280 mm (50 13/32")
	Main unit and High Capacity Feeder	1,240 mm (48 13/16")
	Main unit and High Capacity Stacker	1,320 mm (51 31/32")

The ComColor 9150 is used in the illustration of this machine.

Handling

- Do not use the main power switch to turn the machine OFF or unplug the machine during operation.
- Do not open any of the covers during operation.
- Do not move the machine.
- The machine contains precision components and moving parts. Therefore, do not perform operations not described in the guides.
- Do not place heavy objects on the machine or subject the machine to strong shocks.
- Open and close the covers gently.
- After turning the main power switch OFF, wait until the main power lamp goes off before turning the main power switch ON.
- Perform head-cleaning if the machine will not be used for a long time or before using the machine after a long period of non-use.
Ink may deteriorate or dry up in the ink feed path inside the machine, resulting in clogging of the print head. It is recommended that head-cleaning be performed regularly to prevent this from occurring.
- Do not touch the print head, as this can result in malfunction or deterioration in print quality.
- Always keep all the color ink cartridges in the machine. Do not leave the machine with the ink cartridges removed, even when not using the machine.

Originals

If you connect the optional scanner, you can copy or scan an original by placing it on the platen glass or in the ADF to be read.

If you use an original that is not compatible with this machine, it may result in problems such as paper jamming, soiling or malfunctions.

Specifications of Original Source

	Platen Glass	ADF
Original Size	Maximum 303 mm × 432 mm (11 15/16" × 17")	100 mm × 148 mm - 297 mm × 432 mm (3 15/16" × 5 13/16" - 11 11/16" × 17")
Original Weight	-*1	52 g/m ² (14-lb bond) to 128 g/m ² (34-lb bond)
Original Type	-	Plain paper
Max. Capacity	-	100 sheets*2

*1 Platen glass durability: 200 N (over an A3-size area)

*2 When the size is A4/Letter and the weight is 80 g/m² (21-lb bond) or less
60 sheets (80 g/m² (21-lb bond)) or less for a paper size exceeding B4

■ Precautions about Originals

Originals that have ink or correcting fluid must be dried before being placed on the platen glass.

The following types of originals cannot be scanned using the ADF, even when within the above specification range. Use the platen glass instead.

- Paper that has been cut and pasted
- Heavily wrinkled or curled paper
- Folded paper
- Glued paper
- Paper with holes
- Torn paper or paper with irregular edges
- Transparencies, tracing paper, and other highly transparent materials
- Art paper or coated paper with a processed surface on the front or back
- Thermal paper for fax machines or word processors
- Paper with an uneven surface

Printable Area

The size of the printable area varies depending on whether you are printing a job from a computer or copying a paper original.

■ Maximum Print Area

Model	Maximum Print Area		Print Area (Margin)	
	Printing	Copying	Standard	Maximum
ComColor 9150/9150R/9110/9110R 7150/7150R/7110/7110R	314 mm × 548 mm (12 3/8" × 21 9/16")	295 mm × 430 mm* ¹ (11 5/8" × 16 15/16")	3 mm (1/8")	1 mm (0.04")
ComColor 3150/3150R/3110/3110R	210 mm × 544 mm (8 1/4" × 21 7/16")	210 mm × 430 mm* ² (8 1/4" × 16 15/16")	5 mm (3/16")	3 mm (1/8")

*1 When using the platen glass: 303 mm × 432 mm (11 15/16" × 17")

*2 When using the platen glass: 210 mm × 432 mm (8 1/4" × 17")

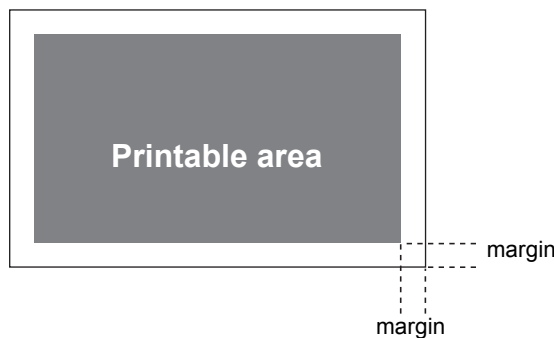


Printing without margins cannot be performed. Margins are always added around the edges of the paper.

■ Printable Area (Margin)

Some areas around the edges of the paper cannot be printed regardless of the data size of the original. The size of the blank margin left by the edges of the paper (where printing is not possible) varies depending on the model.

See "Maximum Print Area".





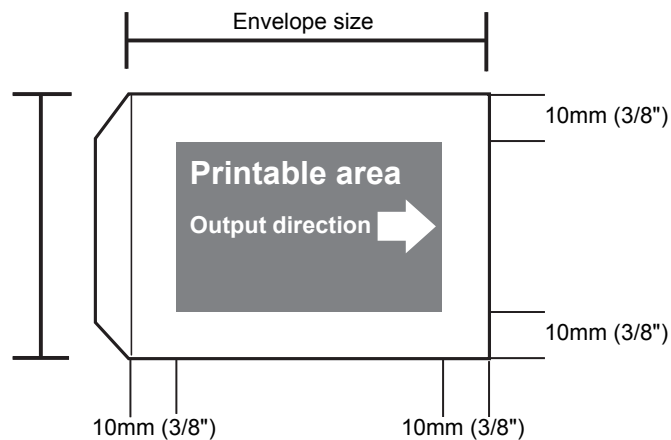
- When [Printable area] is set to [Maximum] in [Admin. Settings], the printable area can be changed to 1 mm (0.04") from the edge of the paper. Depending on the content of the original, text or images may be lost or bleeding may occur.
- Even when the paper size is within the maximum print area, a margin is always provided.
- When copying, the machine cannot scan the 1 mm (0.04") margin of the original.

■ Printable Area of Envelopes

- C4: 229 mm × 324 mm (9" × 12 3/4")
- C5: 162 mm × 229 mm (6 3/8" × 9")
- C6: 114 mm × 162 mm (4 1/2" × 6 3/8")
- DL R: 110 mm × 220 mm (4 5/16" × 8 11/16")
- Envelope 229 mm × 305 mm (9" × 12")
- Envelope 254 mm × 331 mm (10" × 13")
- NO.10 envelope 105 mm × 242 mm (4.125" × 9.5")

The printable area on envelopes is the area enclosed within 10 mm (3/8") of the edges of the envelope.

Any part of the image that does not fit within the printable area is not printed.



- When printing on envelopes, it is recommended you install an optional stacking tray.
- To also print on the flap section, you must register the envelope size including the flap section. For more information, contact the dealer (or the maintenance or service company).
- You cannot use duplex print when printing on envelopes.

Printing Paper

- If you use paper that is not compatible with this machine, it may result in problems such as paper jamming, soiling or malfunctions.
- The specifications for the paper that can be loaded in the feed tray and standard tray differ.

Paper Basic Specifications

The paper type you can use depends on the unit you load paper in.

	Feed Tray	Standard Tray/High Capacity Feeder
Size	182 mm × 182 mm - 297 mm × 420 mm (7 3/16" × 7 3/16" - 11 11/16" × 17")	Standard tray: 90 mm × 148 mm - 340 mm × 550 mm (3 9/16" × 5 13/16" - 13 3/8" × 21 5/8") High capacity feeder: 90 mm × 148 mm - 340 mm × 460 mm (3 9/16" × 5 13/16" - 13 3/8" × 18 1/8")
Weight	52 g/m ² (14-lb bond) to 104 g/m ² (28-lb bond) (45 kg - 90 kg (99 lb - 198 lb) Ream weight: duodecimo)	46 g/m ² (12-lb bond) to 210 g/m ² (56-lb bond) (40 kg - 180 kg (88 lb - 397 lb) Ream weight: duodecimo)
Paper Type	Plain paper, recycled paper	Plain paper, recycled paper, envelopes, postcards (plain paper), postcards (inkjet)
Maximum Load	Height up to 50 mm (1 15/16") in each tray	Standard tray: Height up to 110 mm (4 5/16") High capacity feeder: Height up to 440 mm (17 5/16")

■ Acceptable paper sizes depend on the output tray.

Face down tray: 90 mm × 148 mm - 340 mm × 550 mm (3 9/16" × 5 13/16" - 13 3/8" × 21 5/8")
(Envelopes are not acceptable.)

Face down offset stapler: When printouts are not collated: 90 mm × 148 mm - 340 mm × 550 mm
(3 9/16" × 5 13/16" - 13 3/8" × 21 5/8") (Envelopes are not acceptable.)
When offset output is applied: Paper width 131 mm - 305 mm (5 3/16" - 12")
(Envelopes are not acceptable.)

(When you use staples: A3/B4/A4/A4-LEF^{*3}/B5/B5-LEF/Ledger/Legal/Letter/Letter-LEF/
Foolscap Only regular sized paper.)

Auto-control stacking tray: 90 mm × 148 mm - 320 mm × 432 mm (3 9/16" × 5 13/16" - 12 5/8" × 17")
(When using paper exceeding 432 mm (17") , close the paper guides.)

Wide stacking tray: 90 mm × 148 mm - 340 mm × 550 mm (3 9/16" × 5 13/16" - 13 3/8" × 21 5/8")

High capacity stacker: When printouts are not collated: 90 mm × 148 mm - 340 mm × 460 mm
(3 9/16" × 5 13/16" - 13 3/8" × 18 1/8")^{*1}
When offset output is applied: 182 mm × 257 mm - 297 mm × 432 mm
(7 3/16" × 10 1/8" - 11 11/16" × 17")^{*2}

For information on each tray in the multifunction finisher, see "Multifunction Finisher II (Optional)" in "Specifications".

*1 Height up to 440 mm (17 5/16")

For A5, postcard, envelope, irregular size, etc., height up to 110 mm (4 11/32") is applicable

*2 Height up to 405 mm (15 15/16")

A5, postcard, envelope, irregular size, etc. are not applicable

*3 LEF stands for Long edge feed



- The feed tray is not available for ComColor 9110/9110R/7110/7110R/3110/3110R.
- Depending on the type of paper, operating environment, and storage conditions, even paper meeting these size and weight specifications may not be able to pass through the machine in some cases.

■ **Do not use the following paper types as they will cause problems such as paper jamming or malfunctions.**

- Paper that does not comply with the conditions in the basic specifications
- Paper with a processed surface, such as thermal paper or carbon paper
- Curled paper (3 mm (1/8") or more)
- Paper with wrinkles
- Bent paper
- Torn paper
- Paper with ripples
- Coated paper such as art paper
- Paper with jagged edges
- Glued paper
- Paper with holes
- Glossy paper for photographs
- Transparencies
- Yupo paper

■ **Always use paper from a sealed package.**

■ **After finishing the print job, return the unused paper from the standard tray to the package and store. If you leave the paper in the standard tray, the paper may curl and cause paper jamming. (It is recommended to take necessary sheets out of the wrapping paper and load them to the standard tray.)**

■ **If the paper is not cut cleanly or has a textured surface (such as drawing paper), fan the paper before use.**

■ **Store paper flat, away from high temperatures, high humidity, and direct sunlight.**

Printouts

■ **When using duplex printing, the edges of the paper may become dirty depending on the original.**

■ **Printouts lose their color (discolor) over time due to various chemicals in the air and light. You can protect printouts against discoloration by allowing the printout to fully dry and then inserting it into a glass frame or laminating it.**

■ **When storing printouts in a clear file folder, be sure to use only those made of polyethylene terephthalate (PET).**

■ **Printouts can lose color when they come in contact with water or sweat. Avoid storing printouts in a place subject to moisture.**

Writing on printouts with an oil-based pen can cause bleeding.

■ **The print density of the printout immediately after printing differs from the print density 24 hours later. Print density decreases over time.**

■ **Do not place printouts from this machine on top of printouts from a laser printer or copier that uses toner. The paper might stick to the printed toner and the toner might transfer to the printout.**

Materials Not to Be Printed

- **Do not use the machine in any manner which violates the law or infringes on established copyrights, even when making copies for personal use. Consult your service representatives for further details. In general, use discretion and common sense.**

Ink Cartridge Storage and Handling Precautions

Ink cartridges for this machine are made of paper. For this reason, cartridges may become deformed and unusable if stored incorrectly or in an unsuitable environment. Store the ink cartridges properly, according to "Storage".

■ Storage

- Be sure to store the ink cartridge horizontally in the direction indicated by the this-side-up mark.
- Avoid freezing or placement under direct sunlight. Store in areas between 5°C and 35°C (41°F - 95°F). Do not store in locations subject to extreme changes in temperature.
- If the plastic bag is opened but the ink cartridge is not to be used right away, store the ink cartridge properly and insert it into the machine as soon as possible.

■ Handling Precautions

- Do not shake the ink cartridge. This can create bubbles, resulting in a deterioration in print quality.
- Do not add ink into the ink cartridge.
- Remove the ink cartridge from its plastic bag just before inserting it into the machine.
- Adequate operation temperature is 15°C - 30°C (59°F - 86°F).
Using the ink cartridge outside the adequate operation temperature range can result in a deterioration in print quality (reduced ink discharge).
The spraying properties of the inkjet printer can vary depending on the ink viscosity. In particular, at lower temperatures, the ink viscosity increases and can result in clogging of the print head. Follow the information on the operation environment and storage temperature, check the manufacturing date, and use soon after purchase.
- If the cover of the ink cartridge is removed and the ink cartridge is left for a long period of time without being used up, various chemicals in the air can cause the ink cartridge to deteriorate.
Using ink that has deteriorated or changed in quality can damage the print head or ink flow path.
- Do not dump the ink left in the cartridge into the sewers.
- The ink is a combustible liquid.
In the event of fire, use potassium carbonate mist, foam, powder, or a carbon dioxide fire extinguisher.

Disposing of Used Ink Cartridges and Cleaning Tanks

- **The ink in the cleaning tank cannot be used for printing.**

Specifications

■ ComColor 9150/9150R/7150/7150R Specifications

Basic Functions and Print Functions

Model		ComColor 9150/9150R: 59A01 ComColor 7150/7150R: 59A03
Type		Console
Color Support		Full color
Print Type		Line-type inkjet system
Ink Type		Oil-based pigment ink (Cyan, Magenta, Yellow, Black)
Resolution		Standard: 300 dpi (main scanning direction) × 300 dpi (sub-scanning direction)
		Fine: 300 dpi (main scanning direction) × 600 dpi (sub-scanning direction)
Number of Gray Levels		For each CMYK color (8 gray levels)
Data Processing Resolution		Standard: 300 dpi × 300 dpi Fine: 300 dpi × 600 dpi Line smoothing: 600 dpi × 600 dpi
Warm-up Time		2 min. 45 sec. or less (at room temperature of 20°C (68°F))
First Print Time		5 sec or less* ¹ (when copying A4-LEF/Letter-LEF orientation using color mode)
Continuous Print Speed* ^{2,6}	A4-LEF* ⁸	ComColor 9150: Simplex: 150 ppm Duplex: 75 sheets/minute (150 ppm)
		ComColor 7150: Simplex: 120 ppm Duplex: 60 sheets/minute (120 ppm)
	Letter-LEF	ComColor 9150: Simplex: 146 ppm Duplex: 73 sheets/minute (146 ppm)
		ComColor 7150: Simplex: 120 ppm Duplex: 60 sheets/minute (120 ppm)
	A4	ComColor 9150: Simplex: 110 ppm Duplex: 55 sheets/minute (110 ppm)
		ComColor 7150: Simplex: 90 ppm Duplex: 45 sheets/minute (90 ppm)
	Letter	ComColor 9150: Simplex: 116 ppm Duplex: 58 sheets/minute (116 ppm)
		ComColor 7150: Simplex: 90 ppm Duplex: 45 sheets/minute (90 ppm)
	B4/Legal	ComColor 9150: Simplex: 90 ppm Duplex: 42 sheets/minute (90 ppm)
		ComColor 7150: Simplex: 76 ppm Duplex: 38 sheets/minute (76 ppm)
	A3	ComColor 9150: Simplex: 80 ppm Duplex: 40 sheets/minute (80 ppm)
		ComColor 7150: Simplex: 66 ppm Duplex: 33 sheets/minute (66 ppm)
	Ledger	ComColor 9150: Simplex: 78 ppm Duplex: 39 sheets/minute (78 ppm)
		ComColor 7150: Simplex: 66 ppm Duplex: 33 sheets/minute (66 ppm)

Paper Size	Standard Tray	Maximum: 340 mm × 550 mm (13 3/8" × 21 5/8") Minimum: 90 mm × 148 mm (3 9/16" × 5 13/16")
	Feed Tray	Maximum: 297 mm × 420 mm (11 11/16" × 17") Minimum: 182 mm × 182 mm (7 3/16" × 7 3/16")
Printable Area		Maximum: 314 mm × 548 mm (12 3/8" × 21 9/16")
Guaranteed Print Area ^{*3}		Standard: Margin width of 3 mm (1/8") Maximum: Margin width of 1 mm (0.04")
Paper Weight	Standard Tray	46 g/m ² (12-lb bond) to 210 g/m ² (56-lb bond) (plain paper)
	Feed Tray	52 g/m ² (14-lb bond) to 104 g/m ² (28-lb bond) (plain paper)
Paper Feed Method/Paper Tray Capacity	Standard Tray	Height up to 110 mm (4 5/16")
	Feed Tray	Height up to 50 mm (1 15/16") (3 trays)
Output Tray Capacity	Standard	Height up to 60 mm (2 3/8")
Page Description Language		RISORINC/CIII
Supported Protocols		TCP/IP, HTTP, HTTPS (SSL), DHCP, ftp, lpr, IPP, SNMP, Port 9100 (RAW port), IPv4, IPv6, IPsec
Supported Operating Systems	Microsoft® Windows® XP (32-bit)	
	Microsoft® Windows Server® 2003 (32-bit/64-bit)	
	Microsoft® Windows Server® 2003 R2 (32-bit/64-bit)	
	Microsoft® Windows Vista® (32-bit/64-bit)	
	Microsoft® Windows Server® 2008 (32-bit/64-bit)	
	Microsoft® Windows Server® 2008 R2 (64-bit)	
	Microsoft® Windows® 7 (32-bit/64-bit)	
	Microsoft® Windows Server® 2012 (64-bit)	
Microsoft® Windows® 8 (32-bit/64-bit)		
Network Interface		Ethernet 1000BASE-T, 100BASE-TX, 10BASE-T (1ch)
Memory Capacity		1 GB
Hard Disk ^{*5}	Capacity	320 GB
	Available Space	280 GB
Operating System		Linux
Power Source		AC 100-240 V, 10-5 A, 50-60 Hz
Power Consumption		Max. 1,000 W Ready ^{*4} : 150 W or less Sleep ^{*7} : 5 W or less Stand-by: 0.5 W or less
Operating Noise		Max. 66 dB (when printing)
Operating Environment		Temperature: 15°C to 30°C (59°F to 86°F) Humidity: 40% to 70% RH (non-condensing)
Dimensions (W × D × H)		In use: 1,220 mm × 705 mm × 1,030 mm (48 1/32" × 27 3/4" × 40 9/16") With cover and tray closed: 1,155 mm × 705 mm × 1,010 mm (45 15/32" × 27 3/4" × 39 3/4")
Weight		Approx. 171 kg (376 lb)
Safety		IEC60950-1 compliant, Indoor, pollution degree 2*, At altitudes of 2000m or lower * The pollution degree of the usage environment due to dirt and dust in the air. Degree "2" corresponds to a general indoor environment.
Required Space (W × D × H)		With front cover and feed tray extended: 1,220 mm × 1,240 mm × 1,030 mm (48 1/32" × 48 13/16" × 40 9/16")

*1 Within 10 minutes after the last print job

*2 When using plain paper and recycled paper (85 g/m² (23-lb bond)), and density setting 3 (Standard)
Chart used: Print measurement pattern [Color measurement sample 2 (JEITA standard pattern J6)]

- *3 The margin when printing envelopes is 10 mm (3/8").
The guaranteed area when printing images is the area enclosed within 3 mm (1/8") of the edges of the paper.
- *4 Without printing and temperature adjustment operation
- *5 One gigabyte (GB) is calculated as 1 billion bytes.
- *6 The continuous print speed varies depending on the type of optional output equipment connected.
Multifunction finisher: Max. 120 sheets/minute (A4-LEF Simplex)
Face down offset stapler: ComColor 9150: Max. 150 sheets/minute (A4-LEF Simplex)
ComColor 7150: Max. 120 sheets/minute (A4-LEF Simplex)
- *7 When setting [Power consumption (in sleep)] to [Low].
- *8 LEF stands for Long edge feed.

■ ComColor 9110/9110R/7110/7110R Specifications

Basic Functions and Print Functions

Model		ComColor 9110/9110R: 59A02 ComColor 7110/7110R: 59A04
Type		Console
Color Support		Full color
Print Type		Line-type inkjet system
Ink Type		Oil-based pigment ink (Cyan, Magenta, Yellow, Black)
Resolution		Standard: 300 dpi (main scanning direction) × 300 dpi (sub-scanning direction)
		Fine: 300 dpi (main scanning direction) × 600 dpi (sub-scanning direction)
Number of Gray Levels		For each CMYK color (8 gray levels)
Data Processing Resolution		Standard: 300 dpi × 300 dpi Fine: 300 dpi × 600 dpi Line smoothing: 600 dpi × 600 dpi
Warm-up Time		2 min. 45 sec. or less (at room temperature of 20°C (68°F))
First Print Time		5 sec or less* ¹ (when copying A4-LEF/Letter-LEF orientation using color mode)
Continuous Print Speed* ^{2,6}	A4-LEF* ⁸	ComColor 9110: Simplex: 150 ppm Duplex: 75 sheets/minute (150 ppm)
		ComColor 7110: Simplex: 120 ppm Duplex: 60 sheets/minute (120 ppm)
	Letter-LEF	ComColor 9110: Simplex: 146 ppm Duplex: 73 sheets/minute (146 ppm)
		ComColor 7110: Simplex: 120 ppm Duplex: 60 sheets/minute (120 ppm)
	A4	ComColor 9110: Simplex: 110 ppm Duplex: 55 sheets/minute (110 ppm)
		ComColor 7110: Simplex: 90 ppm Duplex: 45 sheets/minute (90 ppm)
	Letter	ComColor 9110: Simplex: 116 ppm Duplex: 58 sheets/minute (116 ppm)
		ComColor 7110: Simplex: 90 ppm Duplex: 45 sheets/minute (90 ppm)
	B4/Legal	ComColor 9110: Simplex: 90 ppm Duplex: 42 sheets/minute (90 ppm)
		ComColor 7110: Simplex: 76 ppm Duplex: 38 sheets/minute (76 ppm)
	A3	ComColor 9110: Simplex: 80 ppm Duplex: 40 sheets/minute (80 ppm)
		ComColor 7110: Simplex: 66 ppm Duplex: 33 sheets/minute (66 ppm)
	Ledger	ComColor 9110: Simplex: 78 ppm Duplex: 39 sheets/minute (78 ppm)
		ComColor 7110: Simplex: 66 ppm Duplex: 33 sheets/minute (66 ppm)
Paper Size	Standard Tray	Maximum: 340 mm × 550 mm (13 3/8" × 21 5/8") Minimum: 90 mm × 148 mm (3 9/16" × 5 13/16")
Printable Area		Maximum: 314 mm × 548 mm (12 3/8" × 21 9/16")
Guaranteed Print Area* ³		Standard: Margin width of 3 mm (1/8") Maximum: Margin width of 1 mm (0.04")
Paper Weight	Standard Tray	46 g/m ² (12-lb bond) to 210 g/m ² (56-lb bond) (plain paper)
Paper Feed Method/Paper Tray Capacity	Standard Tray	Height up to 110 mm (4 5/16")

Output Tray Capacity	Standard	Height up to 60 mm (2 3/8")
Page Description Language		RISORINC/CIII
Supported Protocols		TCP/IP, HTTP, HTTPS (SSL), DHCP, ftp, lpr, IPP, SNMP, Port 9100 (RAW port), IPv4, IPv6, IPsec
Supported Operating Systems		Microsoft® Windows® XP (32-bit)
		Microsoft® Windows Server® 2003 (32-bit/64-bit)
		Microsoft® Windows Server® 2003 R2 (32-bit/64-bit)
		Microsoft® Windows Vista® (32-bit/64-bit)
		Microsoft® Windows Server® 2008 (32-bit/64-bit)
		Microsoft® Windows Server® 2008 R2 (64-bit)
		Microsoft® Windows® 7 (32-bit/64-bit)
		Microsoft® Windows Server® 2012 (64-bit)
Network Interface		Ethernet 1000BASE-T, 100BASE-TX, 10BASE-T (1ch)
Memory Capacity		1 GB
Hard Disk*5	Capacity	320 GB
	Available Space	280 GB
Operating System		Linux
Power Source		AC 100-240 V, 10-5 A, 50-60 Hz
Power Consumption		Max. 1,000 W Ready*4: 150 W or less Sleep*7: 5 W or less Stand-by: 0.5 W or less
Operating Noise		Max. 66 dB (when printing)
Operating Environment		Temperature: 15°C to 30°C (59°F to 86°F) Humidity: 40% to 70% RH (non-condensing)
Dimensions (W × D × H)		In use: 1,220 mm × 705 mm × 1,030 mm (48 1/32" × 27 3/4" × 40 9/16") With cover and tray closed: 1,155 mm × 705 mm × 1,010 mm (45 15/32" × 27 3/4" × 39 3/4")
Weight		Approx. 149 kg (328 lb)
Safety		IEC60950-1 compliant, Indoor, pollution degree 2*, At altitudes of 2000m or lower * The pollution degree of the usage environment due to dirt and dust in the air. Degree "2" corresponds to a general indoor environment.
Required Space (W × D × H)		With front cover and feed tray extended: 1,220 mm × 1,240 mm × 1,030 mm (48 1/32" × 48 13/16" × 40 9/16")

*1 Within 10 minutes after the last print job

*2 When using plain paper and recycled paper (85 g/m² (23-lb bond)), and density setting 3 (Standard)
Chart used: Print measurement pattern [Color measurement sample 2 (JEITA standard pattern J6)]

*3 The margin when printing envelopes is 10 mm (3/8").
The guaranteed area when printing images is the area enclosed within 3 mm (1/8") of the edges of the paper.

*4 Without printing and temperature adjustment operation

*5 One gigabyte (GB) is calculated as 1 billion bytes.

*6 The continuous print speed varies depending on the type of optional output equipment connected.
Multifunction finisher: Max. 120 sheets/minute (A4-LEF Simplex)
Face down offset stapler: ComColor 9110: Max. 150 sheets/minute (A4-LEF Simplex)
ComColor 7110: Max. 120 sheets/minute (A4-LEF Simplex)

*7 When setting [Power consumption (in sleep)] to [Low].

*8 LEF stands for Long edge feed.

■ ComColor 3150/3150R/3110/3110R Specifications

Basic Functions and Print Functions

Model		ComColor 3150/3150R: 59A05 ComColor 3110/3110R: 59A06
Type		Console
Color Support		Full color
Print Type		Line-type inkjet system
Ink Type		Oil-based pigment ink (Cyan, Magenta, Yellow, Black)
Resolution		Standard: 300 dpi (main scanning direction) × 300 dpi (sub-scanning direction)
		Fine: 300 dpi (main scanning direction) × 600 dpi (sub-scanning direction)
Number of Gray Levels		For each CMYK color (8 gray levels)
Data Processing Resolution		Standard: 300 dpi × 300 dpi Fine: 300 dpi × 600 dpi Line smoothing: 600 dpi × 600 dpi
Warm-up Time		2 min. 45 sec. or less (at room temperature of 20°C (68°F))
First Print Time		5 sec or less ^{*1} (when copying A4-LEF ^{*9} /Letter-LEF orientation using color mode)
Continuous Print Speed ^{*2*6}	A4/Letter	Simplex: 90 ppm Duplex: 45 sheets/minute (90 ppm)
	Legal	Simplex: 76 ppm Duplex: 38 sheets/minute (76 ppm)
Paper Size	Standard Tray	Maximum: 340 mm × 550 mm (13 3/8" × 21 5/8") Minimum: 90 mm × 148 mm (3 9/16" × 5 13/16")
	Feed Tray ^{*7}	Maximum: 297 mm × 420 mm (11 11/16" × 17") Minimum: 182 mm × 182 mm (7 3/16" × 7 3/16")
Printable Area		Maximum: 210 mm × 544 mm (8 1/4" × 21 7/16")
Guaranteed Print Area ^{*3}		Standard: Margin width of 5 mm (3/16") Maximum: Margin width of 3 mm (1/8")
Paper Weight	Standard Tray	46 g/m ² (12-lb bond) to 210 g/m ² (56-lb bond) (plain paper)
	Feed Tray ^{*7}	52 g/m ² (14-lb bond) to 104 g/m ² (28-lb bond) (plain paper)
Paper Feed Method/Paper Tray Capacity	Standard Tray	Height up to 110 mm (4 5/16")
	Feed Tray ^{*7}	Height up to 50 mm (1 15/16") (3 trays)
Output Tray Capacity	Standard	Height up to 60 mm (2 3/8")
Page Description Language		RISORINC/CIII
Supported Protocols		TCP/IP, HTTP, HTTPs (SSL), DHCP, ftp, lpr, IPP, SNMP, Port 9100 (RAW port), IPv4, IPv6, IPsec
Supported Operating Systems		Microsoft® Windows® XP (32-bit)
		Microsoft® Windows Server® 2003 (32-bit/64-bit)
		Microsoft® Windows Server® 2003 R2 (32-bit/64-bit)
		Microsoft® Windows Vista® (32-bit/64-bit)
		Microsoft® Windows Server® 2008 (32-bit/64-bit)
		Microsoft® Windows Server® 2008 R2 (64-bit)
		Microsoft® Windows® 7 (32-bit/64-bit)
		Microsoft® Windows Server® 2012 (64-bit)
Network Interface		Ethernet 1000BASE-T, 100BASE-TX, 10BASE-T (1ch)
Memory Capacity		1 GB
Hard Disk ^{*5}	Capacity	320 GB
	Available Space	280 GB
Operating System		Linux
Power Source		AC 100-240 V, 10-5 A, 50-60 Hz

Power Consumption	Max. 1,000 W Ready ^{*4} : 150 W or less Sleep ^{*8} : 5 W or less Stand-by: 0.5 W or less
Operating Noise	Max. 66 dB (when printing)
Operating Environment	Temperature: 15°C to 30°C (59°F to 86°F) Humidity: 40% to 70% RH (non-condensing)
Dimensions (W × D × H)	In use: 1,220 mm × 705 mm × 1,030 mm (48 1/32" × 27 3/4" × 40 9/16") With cover and tray closed: 1,155 mm × 705 mm × 1,010 mm (45 15/32" × 27 3/4" × 39 3/4")
Weight	ComColor 3150/3150R: Approx. 171 kg (376 lb) ComColor 3110/3110R: Approx. 149 kg (328 lb)
Safety	IEC60950-1 compliant, Indoor, pollution degree 2*, At altitudes of 2000m or lower * The pollution degree of the usage environment due to dirt and dust in the air. Degree "2" corresponds to a general indoor environment.
Required Space (W × D × H)	With front cover extended: 1,220 mm × 1,240 mm × 1,030 mm (48 1/32" × 48 13/16" × 40 9/16")

- *1 Within 10 minutes after the last print job
- *2 When using plain paper and recycled paper (85 g/m² (23-lb bond)), and density setting 3 (Standard)
Chart used: Print measurement pattern [Color measurement sample 2 (JEITA standard pattern J6)]
- *3 The margin when printing envelopes is 10 mm (3/8").
The guaranteed area when printing images is the area enclosed within 5 mm (3/16") of the edges of the paper.
- *4 Without printing and temperature adjustment operation
- *5 One gigabyte (GB) is calculated as 1 billion bytes.
- *6 The continuous print speed varies depending on the type of optional output equipment connected.
Multifunction finisher: Max. 90 sheets/minute (A4 Simplex)
Face down offset stapler: Max. 90 sheets/minute (A4 Simplex)
- *7 The feed tray is available only for ComColor 3150/3150R.
- *8 When setting [Power consumption (in sleep)] to [Low].
- *9 LEF stands for Long edge feed.

■ Scanner HS5000 (Optional)

Copy/Scan Functions

Type		Flat Bed Scanner with Automatic Document Feeder (ADF)
Scanning Modes		Color, Monochrome, Auto
Scanning Resolution		600 dpi, 400 dpi, 300 dpi, or 200 dpi
Maximum Scanning Area		303 mm × 432 mm (11 15/16" × 17") (when using platen glass) 295 mm × 430 mm (11 5/8" × 16 15/16") (when using ADF)
Copy Functions	Writing Resolution	Standard: 300 dpi × 300 dpi Fine: 300 dpi × 600 dpi
	Copy Paper Size	Maximum: 303 mm × 432 mm (11 15/16" × 17") (equivalent to A3)
	Initial Copy Time	Monochrome/Color: 7 sec or less (when copying A4-LEF/Letter-LEF orientation using Color Priority Mode)
	Scanning Speed	Simplex copying (A4-LEF/Letter-LEF, using ADF): 50 ppm or higher Duplex copying (A4-LEF/Letter-LEF, using ADF): 12 sheets/minute (24 ppm) or higher
	Reproduction Size	50% to 200% (Copy mode) 50% to 200% (Scanner mode, resolution: 200/300 dpi), only 100% (Scanner mode, resolution: 400/600 dpi)
ADF	Type	Original source displacement (capable of duplex scanning by switch-back)
	Original Source Size	Maximum: 297 mm × 432 mm (11 11/16" × 17") (equivalent to A3) Minimum: 100 mm × 148 mm (3 15/16" × 5 13/16")
	Paper Quality	52 g/m ² (14-lb bond) to 128 g/m ² (34-lb bond)
	Original Source Capacity Smaller than B4 Size	80 g/m ² (21-lb bond) or less: Max. 100 sheets More than 80 g/m ² (21-lb bond): Height up to 15 mm (5/8")
	Original Source Capacity B4 Size or Larger	80 g/m ² (21-lb bond) or less: Max. 60 sheets More than 80 g/m ² (21-lb bond): Height up to 9 mm (3/8")
	Original Source Exchange Speed	Simplex printing: 50 ppm or higher (A4-LEF/Letter-LEF) Duplex printing: 12 sheets/minute (24 ppm) or higher (A4-LEF/Letter-LEF)
Scan Functions	Scanning Gray Levels	10-bit input and 8-bit output for each RGB color
	Original Source Scanning Speed	Monochrome/Color: 50 ppm * RISO KAGAKU standard original (A4-LEF/Letter-LEF), 200 dpi, when stored to main unit hard drive
	Network Interface*	Ethernet 1000BASE-T/100BASE-TX/10BASE-T
	Data-saving Method*	Save to main unit hard drive, server, or USB flash drive, or send by e-mail
	Data-saving Format*	Monochrome: TIFF, PDF Grayscale/Full Color: TIFF, JPEG, PDF
Power Source		AC 100-240 V, 1.0-0.6 A, 50-60 Hz
Power Consumption		Max. 100 W
Dimensions		650 mm × 560 mm × 255 mm (25 19/32" × 22 1/16" × 10 1/32")
Weight		Approx. 26 kg (57 lb)
Dimensions (when connected to main unit) (W × D × H)		In use: 1,225 mm × 810 mm × 1,220 mm (48 7/32" × 31 7/8" × 48 1/32") With cover and tray extended: 1,225 mm × 1,345 mm × 1,615 mm (48 7/32" × 52 31/32" × 63 19/32")

* Via the internal host controller

■ Multifunction Finisher II (Optional)

Tray Type	Top Tray	Collating, stacking
	Stacking Tray	Collating, stacking (offset)
	Booklet Tray	Booklet, Paper folding
Usable Paper Size	Top Tray ^{*1}	Maximum: 330 mm × 488 mm (13" × 19 3/16") Minimum: 100 mm × 148 mm (3 15/16" × 5 13/16")
	Stacking Tray ^{*1}	Maximum: 330 mm × 488 mm (13" × 19 3/16") Minimum: 182 mm × 182 mm (7 3/16" × 7 3/16")
	Stapling	Maximum: 297 mm × 432 mm (11 11/16" × 17") (equivalent to A3) Minimum: 203 mm × 182 mm (8" × 7 3/16")
	Booklet Tray ^{*1}	Maximum: 330 mm × 457 mm (13" × 18") Minimum: 210 mm × 280 mm (8 1/4" × 11")
Paper Weight	Top Tray	52 g/m ² (14-lb bond) to 210 g/m ² (56-lb bond)
	Stacking Tray	52 g/m ² (14-lb bond) to 210 g/m ² (56-lb bond)
	Booklet Tray	60 g/m ² (16-lb bond) to 90 g/m ² (24-lb bond) (cover: 210 g/m ² (56-lb bond))
Tray Capacity	Top Tray	Height up to 50 mm
	Stacking Tray	Height up to 200 mm
	Booklet Tray	Height up to 50 mm
Stapling	Maximum Number of Staples ^{*2*3}	100 sheets
	Usable Paper Size	Maximum: 297 mm × 432 mm (11 11/16" × 17") (equivalent to A3) Minimum: 203 mm × 182 mm (8" × 7 3/16") (equivalent to B5-LEF)
	Staple Position	1 at front side (angle stapling), 1 at rear side (angle stapling ^{*4} , parallel stapling), 2 at center (parallel stapling)
Punching	Number of Punches	2 holes, 3 holes 2 holes, 4 holes
	Usable Paper Size	2 holes: A3, B4, A4-LEF, A4, B5-LEF, Ledger, Legal, Letter, Letter-LEF 3 holes: A3, B4, A4-LEF, B5-LEF, Ledger, Letter-LEF 4 holes: A3, A4-LEF, Ledger, Letter-LEF
	Paper Weight	52 g/m ² (14-lb bond) to 200 g/m ² (53-lb bond)
Creating a Booklet (Center margin/2-fold)	Maximum Number of Sheets ^{*2*5}	Center margin: 15 sheets (60 pages) 2-fold: 5 sheets (20 pages)
Operating Environment		Temperature: 15°C to 35°C (59°F to 95°F) Humidity: 40% to 70% RH (non-condensing)
Dimensions (W × D × H)		1,120 mm × 765 mm × 1,130 mm (44 3/32" × 30 1/8" × 44 1/2")
Weight		Approx. 131 kg (289 lbs)
Power Source		AC 100-240 V, 50-60 Hz, 2.0-1.0 A or less
Power Consumption		Max. 175 W
Operating Noise (when using multifunction finisher)		Max. 68 dB
Dimensions (when Connected to main unit) (W × D × H)		In use: 2,315 mm × 765 mm × 1,130 mm (91 5/32" × 30 1/8" × 44 1/2") With cover, and tray extended: 2,315 mm × 1,280 mm × 1,130 mm (91 5/32" × 50 13/32" × 44 1/2")

*1 When color printing on paper that is longer than 432 mm (17"), the image printed beyond 432 mm (17") may be distorted.

*2 When using plain paper and recycled paper (85 g/m² (23-lb bond))

*3 65 sheets for a paper size exceeding A4/Letter

*4 Rear-side angle stapling is only available for A4-LEF and A3.

*5 Includes an added cover.

■ Face Down Offset Stapler (Optional)

Type	External Unit
Finishing Functions	Offset output, staple
Usable Paper Size	Without offset Maximum: 340 mm × 550 mm (13 3/8" × 21 5/8") Minimum: 90 mm × 148 mm (3 9/16" × 5 13/16")
	Offset output Paper width: 131 mm - 305 mm (5 3/16" - 12")
Paper Weight	46 g/m ² (12-lb bond) to 210 g/m ² (56-lb bond) (plain paper, recycled paper, postcards)
Tray Capacity	Height up to 108 mm (4 1/4")
Maximum Number of Staples	50 sheets* ¹ A4, A4-LEF, B5, B5-LEF, Letter, Letter-LEF 25 sheets* ¹ A3, B4, Ledger, Legal
Usable Paper Size for Staple	A3, B4, A4, A4-LEF, B5, B5-LEF, Ledger, Legal, Letter, Letter-LEF, Foolscap
Paper Weight for Staple	52 g/m ² (14-lb bond) to 210 g/m ² (56-lb bond) (plain paper, recycled paper)
Staple Position	1 at front side (angle stapling) / 1 at rear side (angle stapling) 2 at center (parallel stapling)
Dimensions (W × D × H)	759 mm × 677 mm × 582 mm (29 7/8" × 26 21/32" × 22 29/32")
Weight	Approx. 30 kg (66 lb)
Power Source	AC 100-240 V, 1.2-0.6 A, 50-60 Hz
Power Consumption	Max. 110 W
Dimensions (when Connected to main unit) (W × D × H)	1,440 mm × 705 mm × 1,345 mm (56 11/16" × 27 3/4" × 52 31/32")

*1 When using plain paper and recycled paper (85 g/m² (23-lb bond))

■ High Capacity Feeder (Optional)

Type	External Unit
Paper Size	Maximum: 340 mm × 460 mm (13 3/8" × 18 1/8") Minimum: 90 mm × 148 mm (3 9/16" × 5 13/16")
Paper Type and Weight	46 g/m ² (12-lb bond) to 210 g/m ² (56-lb bond) (plain paper, recycled paper, envelopes, postcards)
Tray Capacity	Height up to 440 mm (17 5/16")
Power Source	AC 100-240 V, 1.0-0.5 A, 50-60 Hz
Power Consumption	Max. 100 W Ready* ¹ : 30 W or less Sleep* ² : 0.5 W or less Stand-by: 0.5 W or less
Operating Noise	68 dB (A) or less A4-LEF printing (one-sided/two-sided)
Dimensions (W × D × H)	790 mm × 625 mm × 740 mm (31 3/32" × 24 19/32" × 29 1/8")
Weight	Approx. 67 kg (148 lb)
Dimensions (when Connected to main unit) (W × D × H)	1,565 mm × 1,240 mm × 1,030 mm (61 5/8" × 48 13/16" × 40 9/16")

*1 Without printing operation

*2 When setting [Power consumption (in sleep)] to [Low]

■ High Capacity Stacker (Optional)

Type	External Unit
Finishing Functions	Collating, stacking (offset)
Paper Size	Maximum: 340 mm × 460 mm (13 3/8" × 18 1/8") Minimum: 90 mm × 148 mm (3 9/16" × 5 13/16") Offset: 182 mm × 257 mm - 297 mm × 432 mm (7 3/16" × 10 1/8" - 11 11/16" × 17") (Envelopes are not acceptable.)
Paper Type and Weight	46 g/m ² (12-lb bond) to 210 g/m ² (56-lb bond) (plain paper, recycled paper, postcards)
Tray Capacity	Collating: Height up to 440 mm (17 5/16")* ¹ Offset: Height up to 405 mm (15 15/16")* ²
Power Source	AC 100-240 V, 1.4-0.7 A, 50-60 Hz
Power Consumption	Max. 140 W Ready* ³ : 30 W or less Sleep* ⁴ : 0.5 W or less Stand-by: 0.5 W or less
Operating Noise	68 dB (A) or less A4-LEF printing (one-sided/two-sided)
Dimensions (W × D × H)	1,000 mm × 700 mm × 935 mm (39 3/8" × 27 9/16" × 36 13/16")
Weight	Approx. 130 kg (287 lb)
Dimensions (when Connected to main unit) (W × D × H)	2,810 mm × 1,320 mm × 1,030 mm (110 5/8" × 51 31/32" × 40 9/16")

*1 For A5, postcard, envelope, irregular size, etc., height up to 110 mm (4 11/32") is applicable

*2 A5, postcard, envelope, irregular size, etc. are not applicable

*3 Without printing operation

*4 When setting [Power consumption (in sleep)] to [Low]

■ IC Card Authentication Kit (Optional)

Applicable Card	ISO 14443 TypeA/TypeC (FeliCa [®] /Mifare [®])
Radio Law Category	Guided read-write communication equipment
Power Source	Power received from USB port
Operating Environment	Temperature: 15°C to 30°C (59°F to 86°F) Humidity: 40% to 70% RH (non-condensing)
Dimensions (W × D × H)	93 mm × 65 mm × 19 mm (3 21/32" × 2 9/16" × 25/32") (excluding protruding parts)
Weight	Approx. 90 g (3 oz)

Notice for European Union Member States

RISO, the environment and the Waste Electrical and Electronic Equipment Directive "WEEE Directive"

What is the WEEE Directive?

The purpose of the WEEE Directive is to reduce waste and ensure Electrical and Electronic Equipment is recycled at the end of its useful life.



What does the crossed out wheeled bin symbol mean?

The crossed out wheeled bin symbol indicates this product must be disposed of separately to normal waste. Please contact your RISO service agent for information about disposal.

What does the solid bar symbol mean?

The solid bar under the crossed out wheeled bin indicates this product was put on the market after the 13th August 2005.

Who should I contact if I want more information about the WEEE Directive?

You should contact your local RISO service agent for more information.

Trademark Credits

Microsoft and Windows are registered trademarks of Microsoft Corporation in the U.S. and/or other countries.

ColorSet is a trademark of Monotype Imaging Inc. registered in the U.S. Patent & Trademark Office and may be registered in certain jurisdictions.

FeliCa is a registered trademark of Sony Corporation.

Mifare is a registered trademark of Royal Philips Electronics.

ComColor and FORCEJET are trademarks of RISO KAGAKU CORPORATION.

RISO is a registered trademark of RISO KAGAKU CORPORATION in Japan and other countries.

All other product names and company names written in this guide are trademarks or registered trademarks of their respective companies.

RISO