



Mailing
Inserting

Relay™ 6000 inserter

Precision and performance in technology you can trust.



Simplify complex mail

The Relay™ 6000 inserting system is designed on a fast, reliable folding and inserting platform that helps ensure that the right contents get into the right envelope.

Improve productivity without risking precision

Mail continues to be critical to the success of your company, from sending monthly bills to existing customers to building your business via direct mail. Achieving accuracy, security and speed isn't merely important. It's necessary. Until now, it's been difficult to identify an ideal solution that can keep your mailing process precise and accurate.

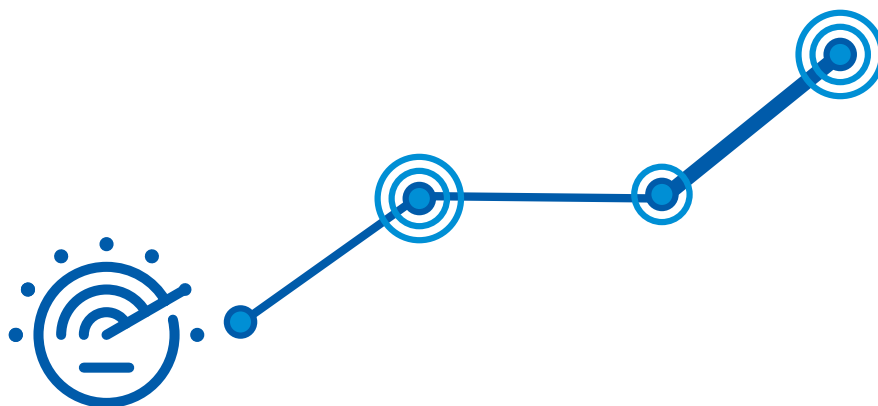
Keep your mail moving with outstanding flexibility and efficiency.

The Relay 6000 inserter enables fast, consistent production of both simple and complex jobs. The proven reliable chassis uses the same straight paper path design found on our top of the line inserters. The Relay 6000 also gives you the flexibility to handle letters or flats, without any manual changeover. That saves you time and effort.

The Relay 6000 does the work... so you don't have to.

Set and start your mail runs in seconds with the intuitive user interface. With the ability to program your jobs with real names—not just numbers—you can switch settings such as form letters to flats or single page letters to variable page bills with a simple press of a button. The simple-to-follow onscreen user guides walk you through the loading of paper, inserts, and envelopes. With guesswork eliminated, the Relay 6000 is easy enough to use for even casual operators.

- Finish up to 4,300 envelopes per hour.
- Process monthly volumes up to 120,000 finished envelopes
- Multiple output options to suit your workflow
- Optional ergonomic height-adjustable table



Reliable and flexible design keeps your documents and envelopes moving quickly.

Relay™ 6000 features

Envelope feeder

Easily switch between flats and letter-size envelopes, load on-the-fly without stopping the job.



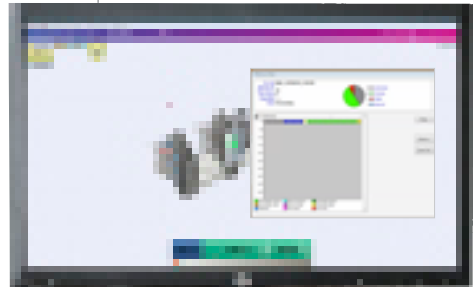
Control panel

Provides straightforward job creation and selection, with job status display all in one convenient user interface.



File-based processing

Mail piece integrity option that provides total control, visibility and reporting for your mail production process.



High-capacity sheet feeder

Each high-capacity sheet feeder has two 1000-sheet capacity feeder trays (2000 total) to keep your production moving.



Tower feeders

One dedicated outer envelope feeder for either letter or flat envelopes combined with 3 flexible feeders for either inserts or sheets.

Folder

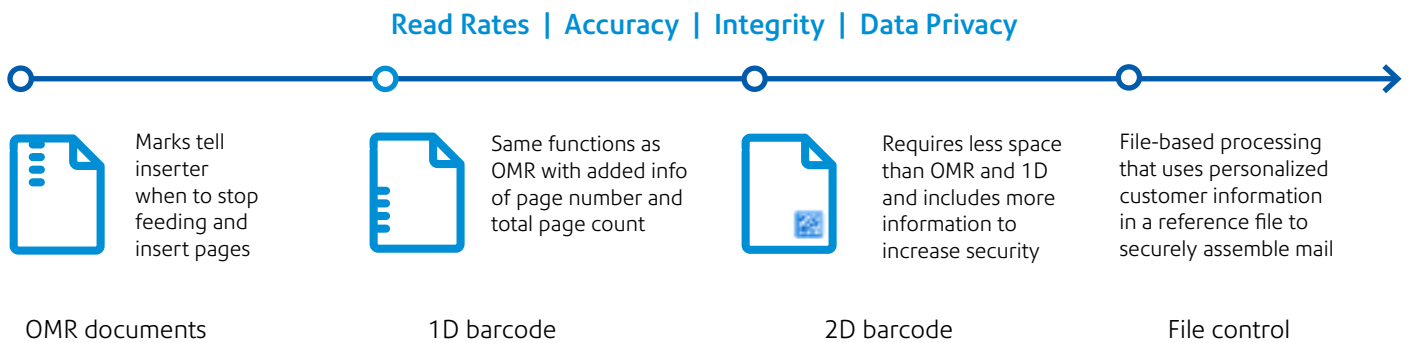
Folds collated sheets into C-fold, Z-fold, Single-Fold, or Double-Fold. No fold for flat envelopes.

Reverse accumulator

Ensures the address shows properly in the window of an envelope whether the address is on the top, middle, or bottom of the page.

Your production is only as good as the accuracy it provides

Information privacy, marketing campaigns, incoming revenue, and customer retention, all rely on superior mail accuracy when a customer opens it. The Relay™ 6000 includes flexible barcode scanning options such as OMR, 1D and 2D. This technology lets you accurately assemble your variable page mail, thus eliminating the need to manually sort documents by page count.



File control (file-based processing)

The Relay 6000 goes beyond barcode scanning. Now, Pitney Bowes offers our world-class file-based processing capabilities in a mid-volume inserting

system. File-based processing checks and cross-checks every page in your mailing. This gives you total visibility to each mail piece and helps

prove that you've safeguarded the private information that your customers entrust you with.

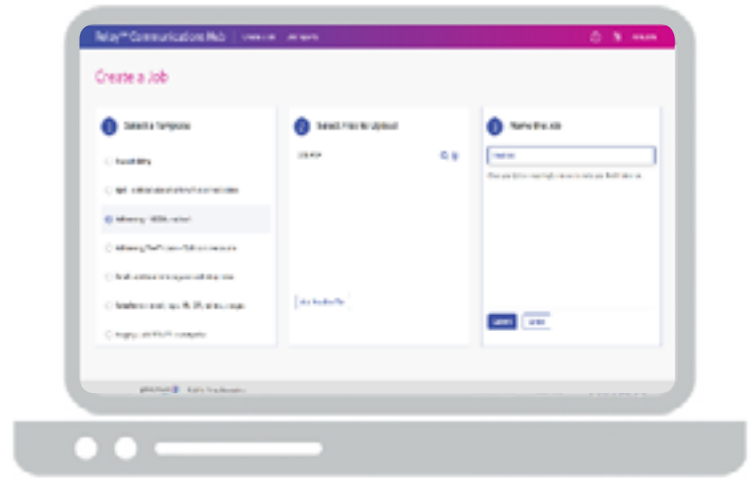


The reference file is used to control and constantly verify pages are accurately folded and inserted.

Relay™ hub from the Pitney Bowes Commerce Cloud

Protect private customer data the easy way.

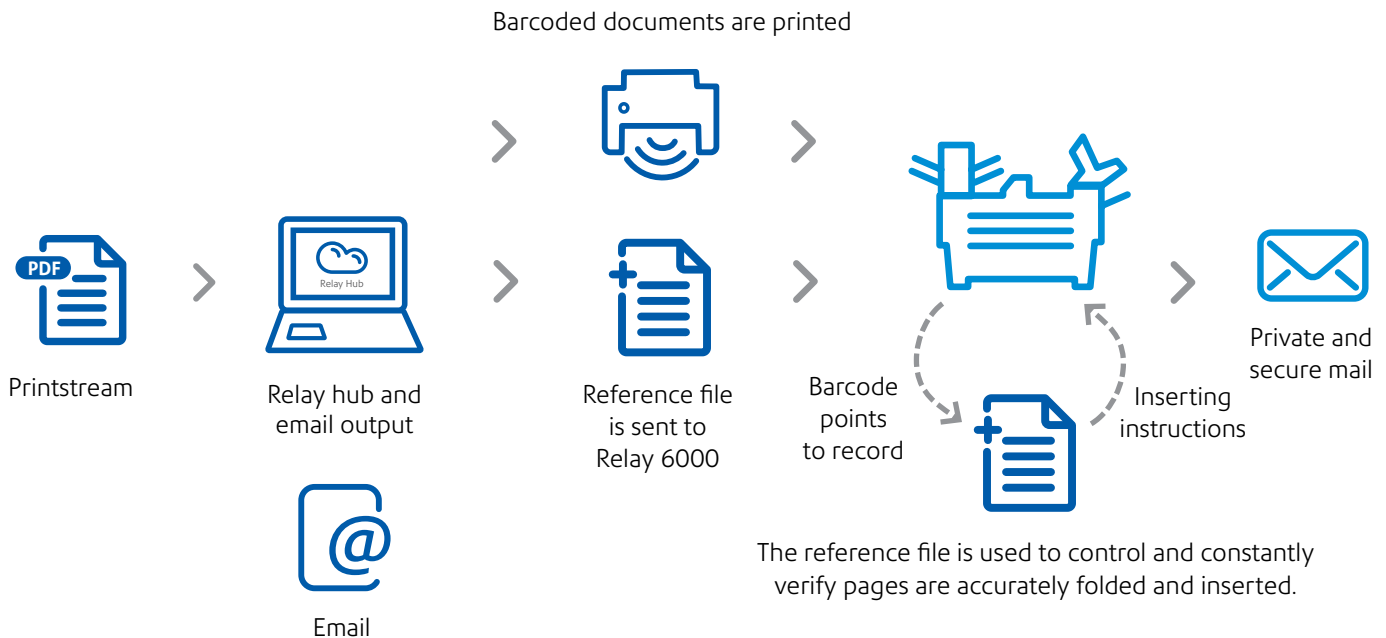
The Relay hub leverages the simplicity and speed of SaaS to help you add security to your mail and workflow, without interrupting your current systems.



The Relay hub is a powerful, simple, secure cloud solution that works with your existing print streams to add scan codes to existing documents. It also

helps you transition documents to email when you're ready to send. For customers wanting more digital communication options, the Relay hub

can seamlessly shift print streams used for physical mail and adapt it to digital channels. This includes email sending and archiving.








We're here to help. At Pitney Bowes, we believe that every document should be treated with the same level of scrutiny, regardless if you're sending communications using physical mail or digitally, producing them in-house or outsourcing your production.

Specifications

| | |
|--|---|
| Throughput | 4,300 per hour |
| Monthly capacity | 120,000 |
| Maximum number of feeders | 7 (4 High-capacity Sheet Feeders + 3 Sheet/Insert feeders) |
| Fold options | C, Z, Half, Double, No Fold |
| Integrity options | OMR, 1D, 2D, exit scanning, file-based processing |
| Programmable jobs | 24 |
| Tower sheet trays | |
| Capacity per feeder | 350 sheets |
| Paper sizes | Minimum 5" (127 mm) width x 5.31" (135 mm) length Maximum 9.84" (250 mm) width x 14" (356 mm) length |
| Paper weights | Minimum 16 lb (60 gsm) to 44 lb (175 gsm) |
| High-capacity sheet feeder | |
| Capacity per feeder | Optional (up to 2 per base system) 2000 sheets (1000 per feeder tray) |
| Paper sizes | Minimum 7.99" (203 mm) width x 9.15" (232 mm) length Maximum 8.5" (216 mm) width x 11.69" (297 mm) length |
| Paper weights | Minimum 20 lb (75 gsm) to 24 lb (90 gsm) |
| Insert feeder | |
| Capacity | 350 inserts |
| Sizes | Minimum 2.83" (72 mm) height x 5" (127 mm) length Maximum 6" (153 mm) height x 9.84" (250 mm) length |
| Thickness, compressed | Minimum 0.003" (0.076mm) to maximum 0.1" (2.54 mm) |
| Envelope feeder | |
| Capacity | 250 Letter (100 Flat) |
| Letter-sized | Minimum 3.5" (89 mm) height x 6.37" (162 mm) length Maximum 6.5" (165 mm) height x 10.5" (266 mm) length |
| Flat-sized | Minimum 6.37" (162 mm) height x 6.5" (165 mm) length Maximum 10.5" (266 mm) height x 13" (330 mm) length |
| Envelope weights | Letter: Minimum 18 lb (70 gsm) to maximum 24 lb (90 gsm) Flats: Minimum 20 lb (80 gsm) to maximum 24 lb (90 gsm) |
| Physical dimensions (includes tower feeder trays) | |
| Length | 60.5" base, 89.5" overall length (base unit fits on 60" table) |
| Depth | 22.8" |
| Height | 31" |
| Weight | 326.5 lbs |

Accessory physical specifications

| | | | | | |
|---|-----------------------------------|-----|--|--------------------------------|-----|
|  | High capacity sheet feeder | |  | Horizontal belt stacker | |
| | Height | 31" | | Height | 18" |
| | Table-length requirement | 30" | | Table-length requirement | N/A |
| | Installed Length | 49" | | Installed length (floor) | 22" |
|  | Exit transport | |  | Vertical power stacker | |
| | Height | 16" | | Height | 31" |
| | Table-length requirement | 18" | | Table-length requirement | N/A |
| | Installed length | 18" | | Installed length | 14" |
|  | Flats sealer | | | | |
| | Height | 31" | | | |
| | Table-length requirement | 12" | | | |
| | Installed length | 12" | | | |

Relay™ 6000 inserter
system precisely folds
inserts and seals up to
4,300 pieces per hour.



Canada

5500 Explorer Drive
Mississauga, ON L4W 5C7

For more information,
visit us online: pitneybowes.com/ca/en

